



# AQUARIUS PUMP COMPANY

## 10RB-CC

### AVAILABLE MOUNTING CONFIGURATIONS

10RB-CC CLOSE-COUPLED  
10RB-VM VERTICAL CLOSE-COUPLED

### OPERATING LEVELS

MIN FLOW	1750 GPM	397 m <sup>3</sup> /h
MAX FLOW	5700 GPM	1293 m <sup>3</sup> /h
DISCHARGE SIZE	10"	254 mm
SUCTION SIZE	10"	254 mm
SOLIDS HANDLING	1.25"	31.75 mm
MAX SPEED	1800 RPM	1800 RPM
SHUT-OFF HEAD	200'	61 m
MAX WORKING PRESSURE	155 PSI	1069 kPa
BEP HEAD	130'	39.6 m
BEP FLOW	4900 GPM	1112 m <sup>3</sup> /h
BEP PERCENT	87%	87%



A typical picture of the pump is shown. Please contact Aquarius Pump Company for further details. All information is approximate and for general guidance only.

The 10RB general purpose pump is designed with Aquarius's renowned quality and durability. It features a 10" discharge and a 10" suction, enclosed multi-vane impeller and flanged tangential double volute. Optional motors include TEFC (other options available).

- External hydraulic balance line
- Back pullout design
- Replaceable hub & suction wear rings
- Replaceable shaft sleeve
- High efficiency hydraulics
- Low operating costs
- Two year warranty
- Optional Cycloseal® with type 1 mechanical seal
- Optional Run-Dry™ lubrication system
- "Shower curtain shield" bearing protection
- Double volute

PARTS	STANDARD MATERIAL (BRONZE FITTED)
WEAR RINGS	BRONZE SAE 660
IMPELLER	BRONZE SAE 40
VOLUTE	CAST IRON ASTM A48 CL30
SHAFT	CARBON STEEL
SHAFT SLEEVE	BRONZE SAE 660
BACKPLATE	CAST IRON ASTM A48 CL30
PACKING (STANDARD)	GRAPHITED ACRYLIC
MECHANICAL SEAL (OPTIONAL)	T-1, BUNA, CARBON/CERAMIC
MOTOR	ODP W/ 1.15 SF



AGRICULTURE



FOOD



INDUSTRIAL



MINING



MUNICIPAL



OIL & GAS



REFRIGERATION

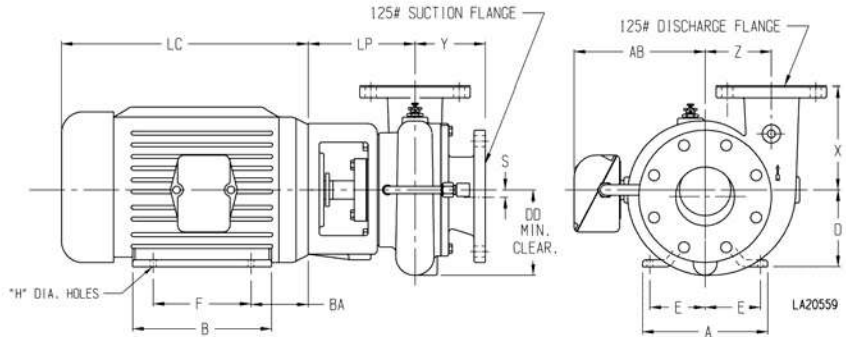


RENTAL



# AQUARIUS PUMP COMPANY

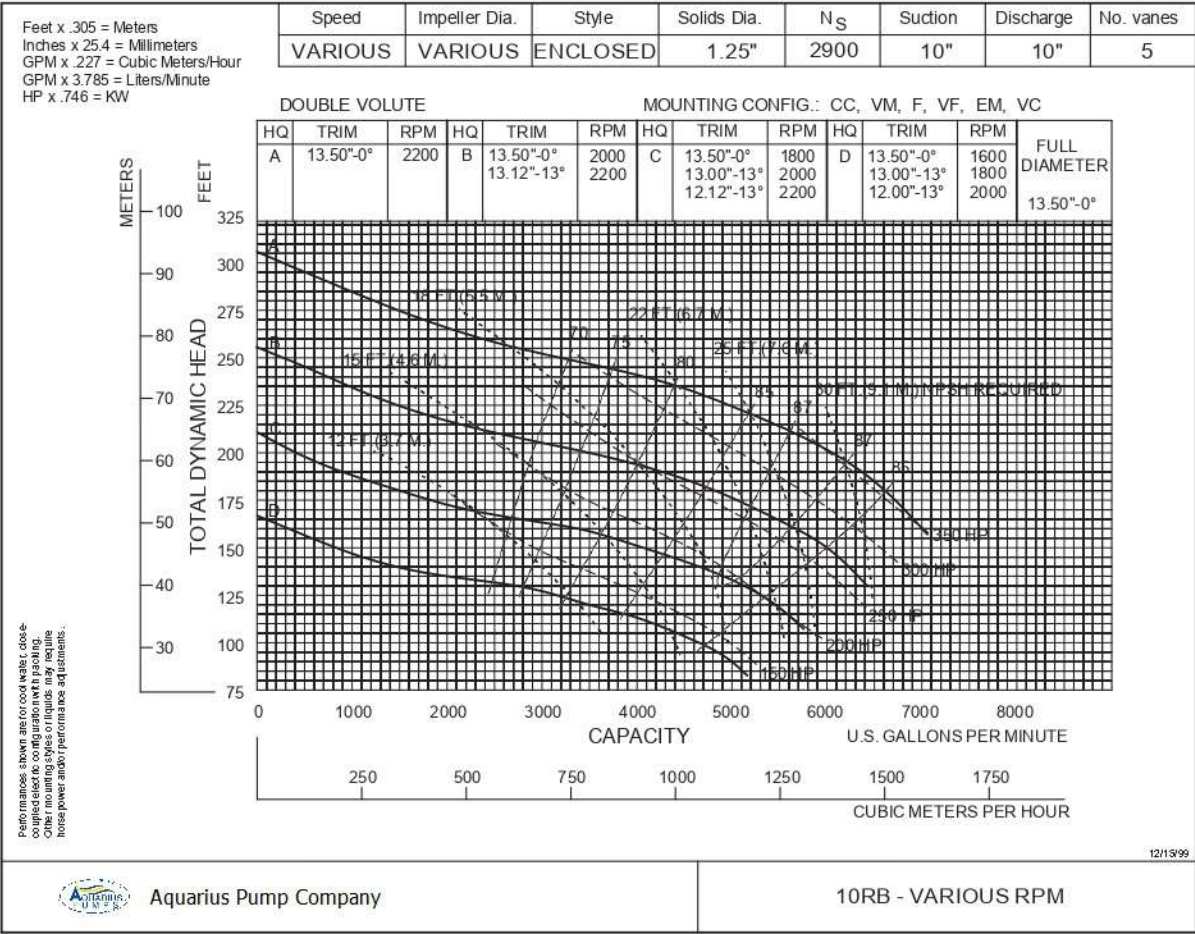
## 10RB-CC



PUMP DIMENSIONS										
MODEL	CONNECTION		DISCHARGE INCREMENT	AK DIM.	DD	S	X	Y	Z	LP
	DISCHARGE	SUCTION								
10RB	10	10	90°	12.5	19.12	-	14	10.55	12	11.68

MOTOR DIMENSIONS										
MOTOR FRAME	AK DIM.	A	B	D	E	F	H	AB	BA	LC
324-6	12.5	14.25	14	8	6.25	12	0.66	12.22	5.5	22.19
364-5	12.5	15.75	14	9	7	12.25	0.66	13.2	6.12	24.31
404-5	12.5	18.5	16.62	10	8	13.75	0.81	16.39	6.88	29.97



Performances shown are for foot water, close-coupled electric configuration with packing, no hose power and no performance adjustments.

NEW PAGE

10RBVA



Aquarius Pump Company

10RB - VARIOUS RPM