



AQUARIUS PUMP COMPANY

2STH

AVAILABLE MOUNTING CONFIGURATIONS

2STH-F FRAME MOUNT
2STH-EM ENGINE MOUNT

OPERATING LEVELS

MIN FLOW	50 GPM	11.5 m ³ /h
MAX FLOW	490 GPM	112.7 m ³ /h
DISCHARGE SIZE	2"	50 mm
SUCTION SIZE	3"	75 mm
SOLIDS HANDLING	1.5"	38 mm
MAX SPEED	2950 RPM	2950 RPM
SHUT-OFF HEAD	188'	57.3 m
BEP HEAD	132'	40.2 m
BEP FLOW	320 GPM	73.6 m ³ /h
BEP PERCENT	49%	49%

PARTS	STANDARD MATERIAL (ALL IRON)
VOLUTE CASING	DUCTILE IRON, ASTM A536, 65-45-12
IMPELLER	DUCTILE IRON, ASTM A536, 100-70-03
IMPELLER SCREW	304 STAINLESS STEEL
BACKPLATE/BRACKET	DUCTILE IRON, ASTM A536, 65-45-12
WEAR PLATE	MILD STEEL
BEARING FRAME	DUCTILE IRON, ASTM A536
SHAFT	17-4 PH STAINLESS STEEL
SHAFT SLEEVE	304 STAINLESS STEEL
FASTENERS	GRADE 5 STEEL
MECHANICAL SEAL	SILICON CARBIDE vs. SILICON CARBIDE, TYPE 2



A typical picture of the pump is shown. Please contact Aquarius Pump Company for further details. All information is approximate and for general guidance only.

HIGH-HEAD SELF-PRIMER

Aquarius's self-priming pump, with industry-leading efficiency, runs several efficiency points higher than other manufacturers. Features patented Cycloseal[®] system and uniquely designed volute for best performance, with a 3" suction and 2" discharge.

- FIVE-YEAR warranty
- Optional self-cleaning wear plate
- Modular bearing frame
- Aquarius's Cycloseal[®] with type 2 seal
- Dual protection of bearings with external seal leakage monitor (vent to atmosphere)
- High Heads up to 180'

- High-efficiency design
- Oversized oil reservoir for better cooling
- Replaceable shaft sleeve
- Heavy-duty ductile iron construction
- Designed for SAE conversion
- High RPM Capability



AGRICULTURE



FOOD



INDUSTRIAL



MINING



MUNICIPAL



OIL & GAS



REFRIGERATION



RENTAL

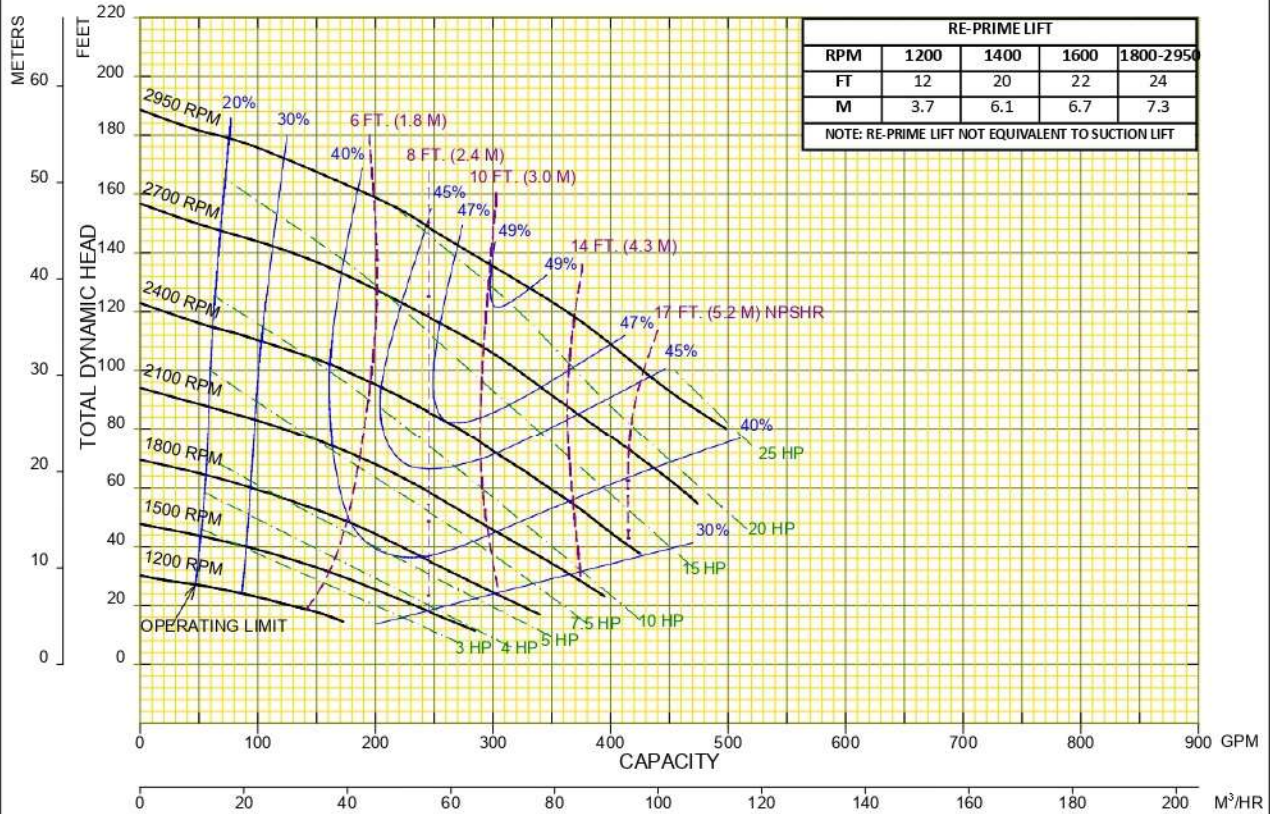


AQUARIUS PUMP COMPANY

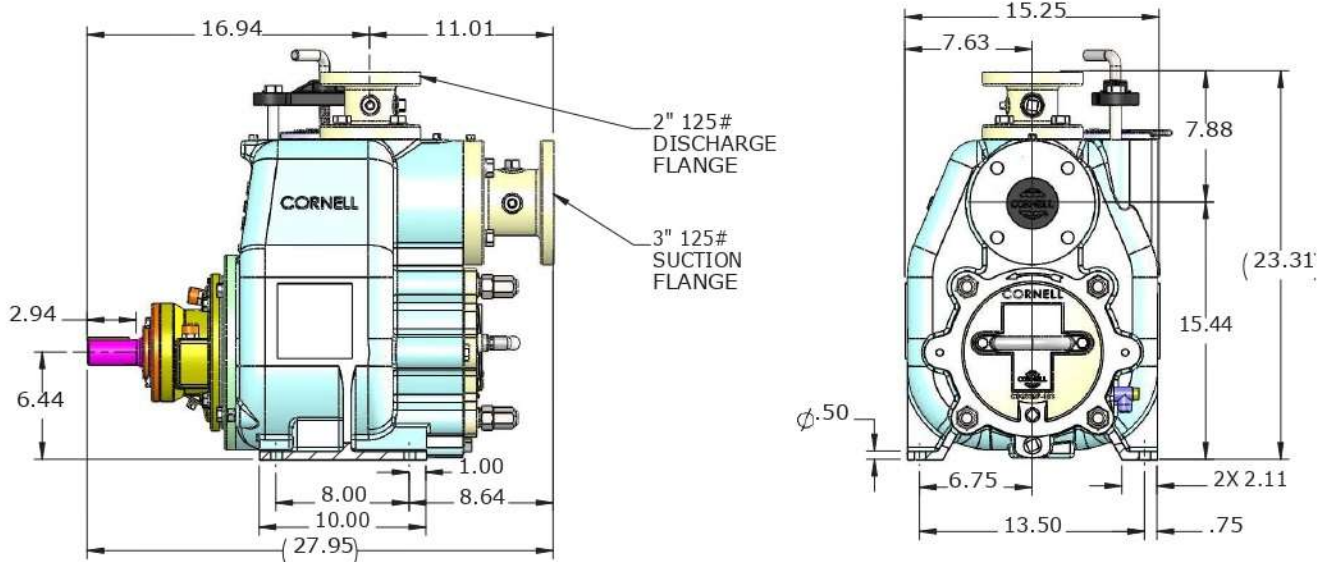
2STH

Performances shown are for S.G. 1.0
60°F water, frame mount configuration.
Other mounting styles or S.G.
may require curve adjustments.

Speed	Impeller Dia.	Style	Volute	Solids Dia.	N _s	Suction	Discharge	No. Vanes
VARIOUS	8.00"	SEMI-OPEN	SINGLE	1.5"	1330	3"	2"	2



Aquarius Pump Company	04	08/01/19	FM	MODEL : 2STH	CURVE NO.:
	00	01/14/14	AE	TYPE : SELF PRIMING	2STHVA



DS8STL-140826-P