



# AQUARIUS PUMP COMPANY

## 5RB-CC

### AVAILABLE MOUNTING CONFIGURATIONS

5RB-CC CLOSE-COUPLED  
5RB-VM VERTICAL CLOSE-COUPLED

### OPERATING LEVELS

MIN FLOW	200 GPM	46 m <sup>3</sup> /h
MAX FLOW	2200 GPM	500 m <sup>3</sup> /h
DISCHARGE SIZE	5"	127 mm
SUCTION SIZE	8"	203 mm
SOLIDS HANDLING	1"	25.4 mm
MAX SPEED	1800 RPM	1800 RPM
SHUT-OFF HEAD	200'	61 m
MAX WORKING PRESSURE	155 PSI	1069 kPa
BEP HEAD	160'	48.8 m
BEP FLOW	1600 GPM	363 m <sup>3</sup> /h
BEP PERCENT	86%	86%



A typical picture of the pump is shown. Please contact Aquarius Pump Company for further details. All information is approximate and for general guidance only.

The 5RB general purpose pump is designed with Aquarius's renowned quality and durability. It features a 5" discharge and a 8" suction, enclosed multi-vane impeller and flanged tangential double volute. Optional motors include TEFC (other options available).

- External hydraulic balance line
- Back pullout design
- Replaceable hub & suction wear rings
- Replaceable shaft sleeve
- High efficiency hydraulics
- Low operating costs
- Two year warranty
- Optional Cycloseal® with type 1 mechanical seal
- Optional Run-Dry™ lubrication system
- "Shower curtain shield" bearing protection
- Double volute

PARTS	STANDARD MATERIAL (CAST IRON BRONZE FITTED)
WEAR RINGS	Bronze SAE 660
IMPELLER	Bronze SAE 40
VOLUTE	Cast Iron ASTM A48 CL30
SHAFT	Carbon Steel
SHAFT SLEEVE	Bronze SAE 660
BACKPLATE	Cast Iron ASTM A48 CL30
PACKING (STANDARD)	Graphited Acrylic
MECHANICAL SEAL (OPTIONAL)	Single T-1, Buna, Carbon/ Ceramic
MOTOR	Open drip-proof w/ 1.15 service factor



AGRICULTURE



FOOD



INDUSTRIAL



MINING



MUNICIPAL



OIL & GAS



REFRIGERATION



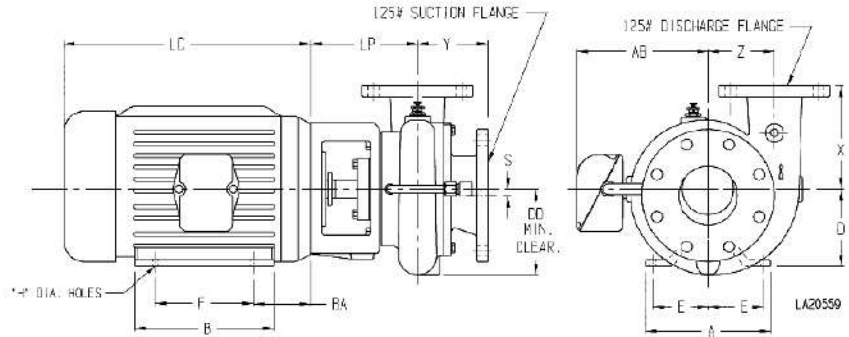
RENTAL



**PRODUCT DATA SHEET**

# AQUARIUS PUMP COMPANY

## 5RB-CC



PUMP DIMENSIONS										
MODEL	CONNECTION		DISCHARGE INCREMENT	AK DIM.	DD	S	X	Y	Z	LP
	DISCHARGE	SUCTION								
5RB	5	8	90°	12.5	14.25	.88	11	9.78	10	10.62

MOTOR DIMENSIONS										
MOTOR FRAME	AK DIM.	A	B	D	E	F	H	AB	BA	LC
324-6	12.5	14.25	14	8	6.25	12	0.66	12.22	5.5	22.19
364-5	12.5	15.75	14	9	7	12.25	0.66	13.2	6.12	24.31
404-5	12.5	18.5	16.62	10	8	13.75	0.81	16.39	6.88	29.97

