



AQUARIUS PUMP COMPANY

Delta™ Model 8NHDH-F

STANDARD SPECIFICATION

Size: 8NHDH - 8" discharge x 10" suction with 125# cast iron flanges.

Impeller - Semi-open, 2 vane: handles 3" solids

Volute - Right hand tangential and centerline discharge, eight positions

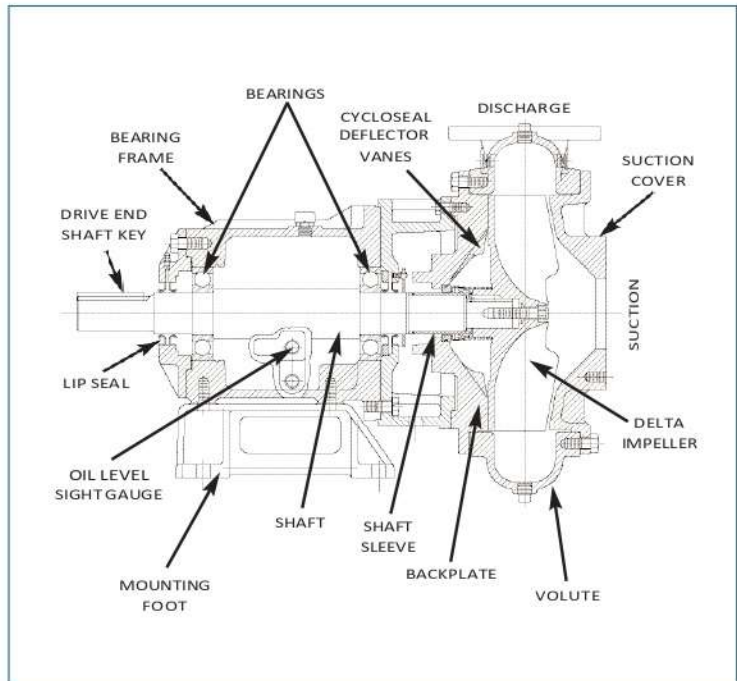
Mechanical Seal or Traditional Packing - Single, type 2, silicon carbide/tungsten carbide mechanical seal: Cycloseal® design, Run-dry available

Materials of Construction

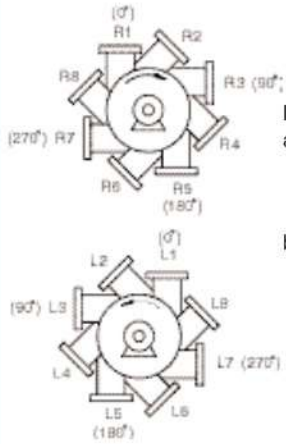
- Cast iron casing, cast iron impeller
- Other materials available, including corrosion resistant materials

FEATURES & BENEFITS

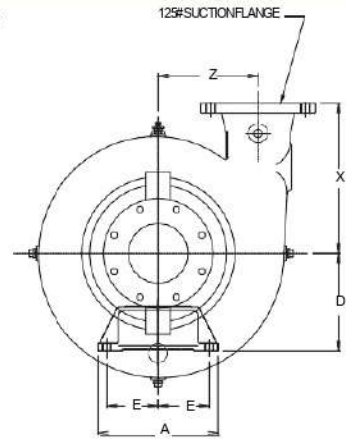
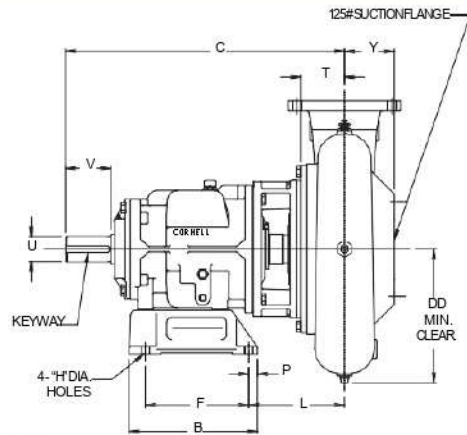
- **Semi-open Impeller**
 - handles difficult to pump liquids, rags, wet straw and other difficult to pump slurries and sludges that other pumps can not handle.
 - smooth vanes prevent hang-up or "pinning" of stringy materials.
 - handles slurries and sludges with abrasive particles.
 - no wear rings are required.
 - no axial clearance adjustments are required.
 - aids in passing solids through the pump and breaking up larger solids.
 - resists ragging
- **TDH to 110 ft., speeds to 1800 RPM or more**
 - handles high head situations and flow rates to 1,800 GPM.
- **High Efficiencies**
 - due to higher efficiencies, these pumps can often provide significant energy savings and lower operating costs.
- **Impeller Options**
 - available in 2 or 3 vane impeller design.
- **Mounting Options**
 - available in a variety of mounting configurations.



PUMP DIMENSIONS



- NOTES:**
- a. Discharge positions viewed from drive end.
 - b. Consult factory for other discharge positions.

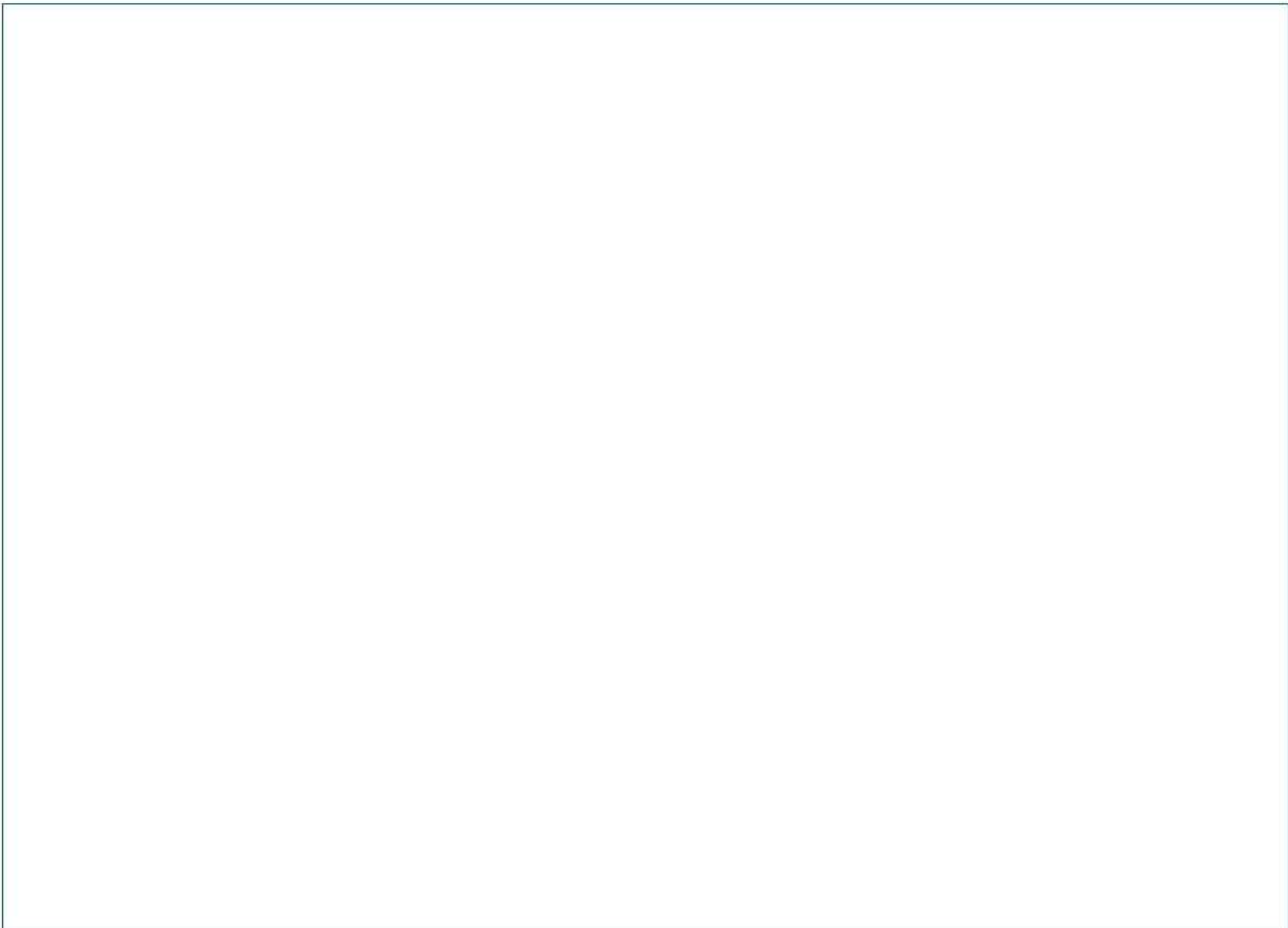


NOTES:

1. "V" dimension is maximum useable shaft.
2. Mounting foot thickness is .75".
3. Flange connection dimension can vary $\pm .12$ inch.
4. Do not use for construction unless certified.

Model	Frame	CONNECTION		A	B	C	D	DD	E	F	H	L	P	T	U	V	X	Y	Z	KEYWAY
		Disch.	Suct.																	
8NHDDH	F18	8	10	12	12.88	28.72	10.5	18.5	5.12	10.38	0.81	10.34	0.88	4.67	2.5	4.5	15	7.48	14	.62 x .31

PERFORMANCE CURVES



Aquarius Pump Company

CERTIFIED TO ISO 9001:2000