



AQUARIUS PUMP COMPANY

8NHTA-F

***NOW STOCKED IN CD4MCu**



A typical picture of the pump is shown. Please contact Aquarius Pump Company for further details. All information is approximate and for general guidance only.

AVAILABLE MOUNTING CONFIGURATIONS	
8NHTA-F	FRAME MOUNT
8NHTA-RP-F	REDI-PRIME FRAME MOUNT
8NHTA-EM	ENGINE MOUNT
8NHTA-RP-EM	REDI-PRIME ENGINE MOUNT
8NHTA-VF	VERTICAL FRAME MOUNT

OPERATING LEVELS		
MIN FLOW	400 GPM	91 m ³ /h
MAX FLOW	5100 GPM	1158 m ³ /h
DISCHARGE SIZE	8"	203 mm
SUCTION SIZE	10"	254 mm
SOLIDS HANDLING	3.38"	86 mm
MAX SPEED	1800 RPM	1800 RPM
SHUT-OFF HEAD	350'	107 m
BEP HEAD	219'	67 m
BEP FLOW	3697 GPM	840 m ³ /h
BEP PERCENT	82%	82%

PARTS	STANDARD MATERIAL (ALL IRON)	CD4MCU
WEAR RING	CAST IRON	CD4MCU
IMPELLER	CAST IRON	CD4MCU
VOLUTE	CAST IRON	CD4MCU
SHAFT	4140/4142 BD	17-4PH
SHAFT SLEEVE	416 STAINLESS STEEL	316V STAINLESS STEEL
MECHANICAL SEAL	TUNGSTEN CARBIDE VS. SILICON CARBIDE	TUNGSTEN CARBIDE VS. SILICON CARBIDE
BEARING FRAME	CAST IRON	CAST IRON

The 8NHTA pump is designed with Aquarius's renowned quality and durability. It features an 8" discharge, 10" suction, and enclosed impeller. Available in All Iron or CD4MCu materials. Aquarius's patented Cycloseal® design is standard, with a Type 1 or 2 single mechanical seal with Buna-N elastomers, stainless steel hardware and tungsten carbide vs. silicon carbide seal faces for abrasion resistance.

- Cycloseal sealing system
- Robust construction
- High efficiency hydraulics
- Oversize shaft and bearings
- Optional Redi-Prime Priming system
- Two-year warranty





AQUARIUS PUMP COMPANY

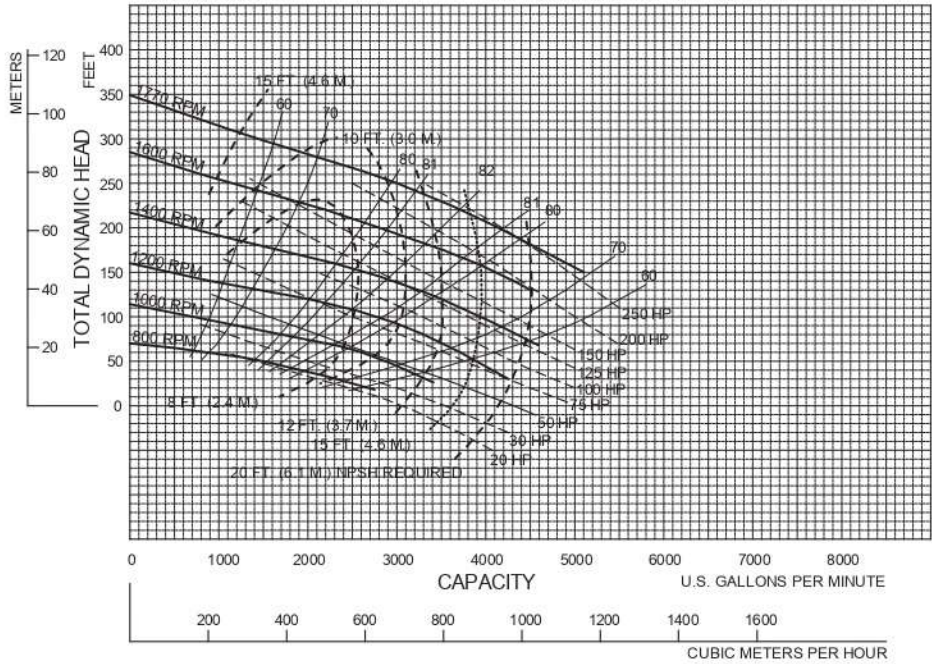
8NHTA-F

Feet x .305 = Meters
 Inches x 25.4 = Millimeters
 GPM x .227 = Cubic Meters/Hour
 GPM x 3.785 = Liters/Minute
 HP x .746 = KW

Speed	Impeller Dia.	Style	Solids Dia.	N _S	Suction	Discharge	No. vanes
VARIOUS	17.50"	ENCLOSED	3.38"	1760	10"	8"	2

NEW PAGE

DOUBLE VOLUTE MOUNTING CONFIG.: CC, VM, F, VF, EM, VC



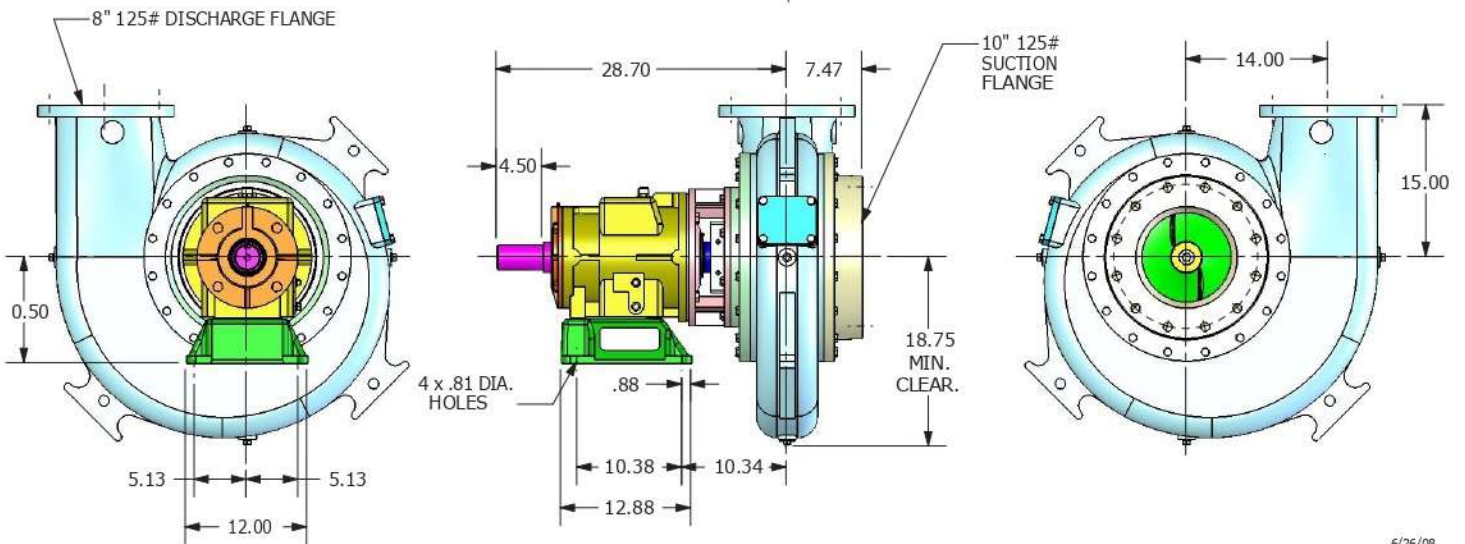
Performances shown are for cool water, close-coupled electric configuration with packing. Performance may vary with temperature, horsepower and/or performance adjustments.

8NHTA-V



Aquarius Pump Company

8NHTA - VARIOUS RPM



6/26/08